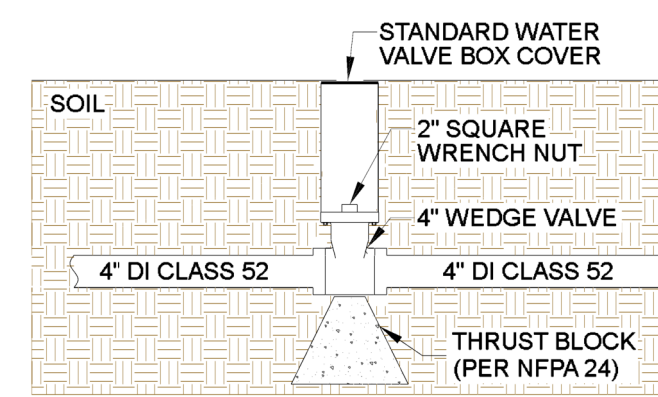
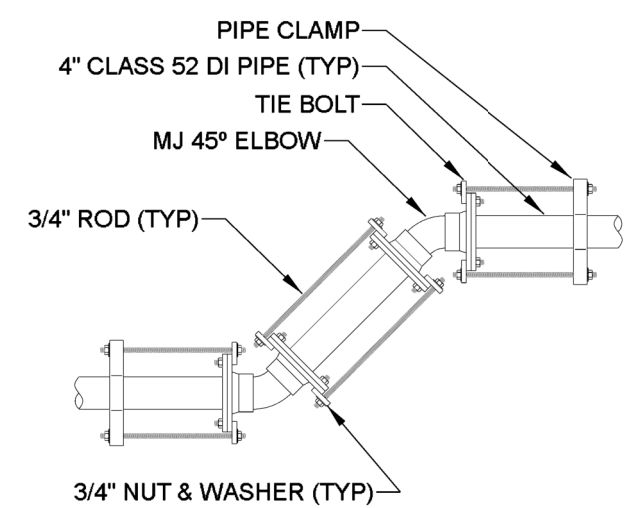


ROD RESTRAINT SUPPLY FLANGE
UNDERGROUND DETAIL
N.T.S.



GATE VALVE
UNDERGROUND DETAIL
N.T.S.



ROD RESTRAINT
DETAIL

WATER FLOW INFORMATION

WATER FLOW INFORMATION HAS BEEN PROVIDED BY CITY OF CHEHALIS. FOLLOWING INFORMATION BASED OFF FLOW TEST CONDUCTED ON 11/12/2021.

STATIC PRESSURE: 95 PSI
RESIDUAL PRESSURE: 90 PSI @ 1251 GPM

FLOW TEST WAS CONDUCTED AT FIRE HYDRANT LOCATED ON WEST MAIN STREET.

SCOPE OF WORK

RED HAWK FIRE PROTECTION, LLC. (RHFP) WILL PROVIDE NEW 4" FIRE SUPPLY LINE FROM GATE VALVE TO RISER ROOM.

RHFP WILL START WORK AT A WATER DEPARTMENT PROVIDED GATE VALVE.

EXCLUSIONS

- PAINTING OR LABELING OF PIPE AND/OR EQUIPMENT
- ELECTRICAL WIRING OF ANY KIND INCLUDING BUT NOT LIMITED TO WATERFLOW SWITCH, ELECTRIC BELL, AND TAMPER SWITCHES
- CENTRAL STATION MONITORING EQUIPMENT, WIRING AND SERVICES
- ALL UNDERGROUND WORK INCLUDING BUT NOT LIMITED TO: BACKFILL, SELECT FILL, BREAKING PATCHING, SAW CUTTING, LAWN REPAIR, LANDSCAPING, TREE REMOVAL, STERILIZATION, DEVELOPMENT FEES AND CITY CONNECTION.

UNDERGROUND NOTES

- ALL UNDERGROUND WORK PIPING BY RHFP. CONTRACTOR TO BE STATE LICENSED AND CERTIFIED TO INSTALL UNDERGROUND PIPING PER WAC 212-80.
- PIPE TYPE AND CLASS TO MEET LOCAL JURISDICTION APPROVAL.
- ALL UNDERGROUND PIPING SHALL HAVE 3 FEET MINIMUM BURY (TO TOP OF PIPE).
- ALL UNDERGROUND PIPING SHALL BE UL LISTED AND/OR FM APPROVED FOR FIRE PROTECTION.
- ALL UNDERGROUND PIPING SHALL BE RESTRAINED IN ACCORDANCE WITH THE SPECIFICATIONS AND NFPA 24 (LATEST EDITION).
- ALL UNDERGROUND PIPING SHALL BE HYDROSTATICALLY TESTED AT NOT LESS THAN 200 PSI OR 50 PSI ABOVE STATIC PRESSURE IN EXCESS OF 150 PSI FOR TWO HOURS IN ACCORDANCE WITH NFPA 24 (LATEST EDITION).
- ALL UNDERGROUND PIPING SHALL BE FLUSHED IN ACCORDANCE WITH NFPA 24 (LATEST EDITION). FLOW THE REQUIRED RATE UNTIL WATER IS CLEAR AS INDICATED BY NO COLLECTION OF FOREIGN MATERIAL IN BURLAP BAGS AT OUTLETS.

4" - 490 GPM	10" - 2,400 GPM
6" - 880 GPM	12" - 3,520 GPM
8" - 1,560 GPM	
- ALL UNDERGROUND PIPING SHALL BE STERILIZED PER LOCAL JURISDICTION REQUIREMENTS.

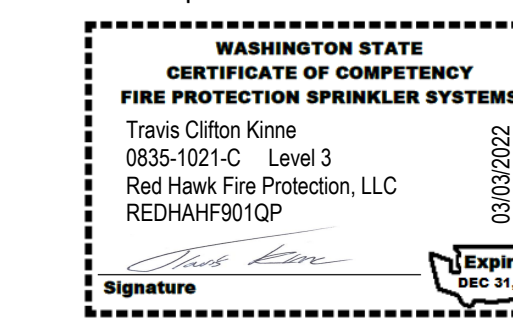
RED HAWK
FIRE PROTECTION, LLC



Ever Vigilant

801 VALLEY AVE NW, SUITE D
PUYALLUP, WA 98371
PHONE: (253) 840-9900 FAX: (800) 591-4382
WA CL# REDHAHF901QP

NICET Stamp



Approvals Required
CITY OF CHEHALIS
OWNER / ARCHITECT

Revisions

Contract With
ACCRETE CONSTRUCTION

801 VALLEY AVE NW
PUYALLUP, WA 98321
PM: MICHAEL CHOLERTON
Phone: 253-286-3900
Email: Michael@accrete.build

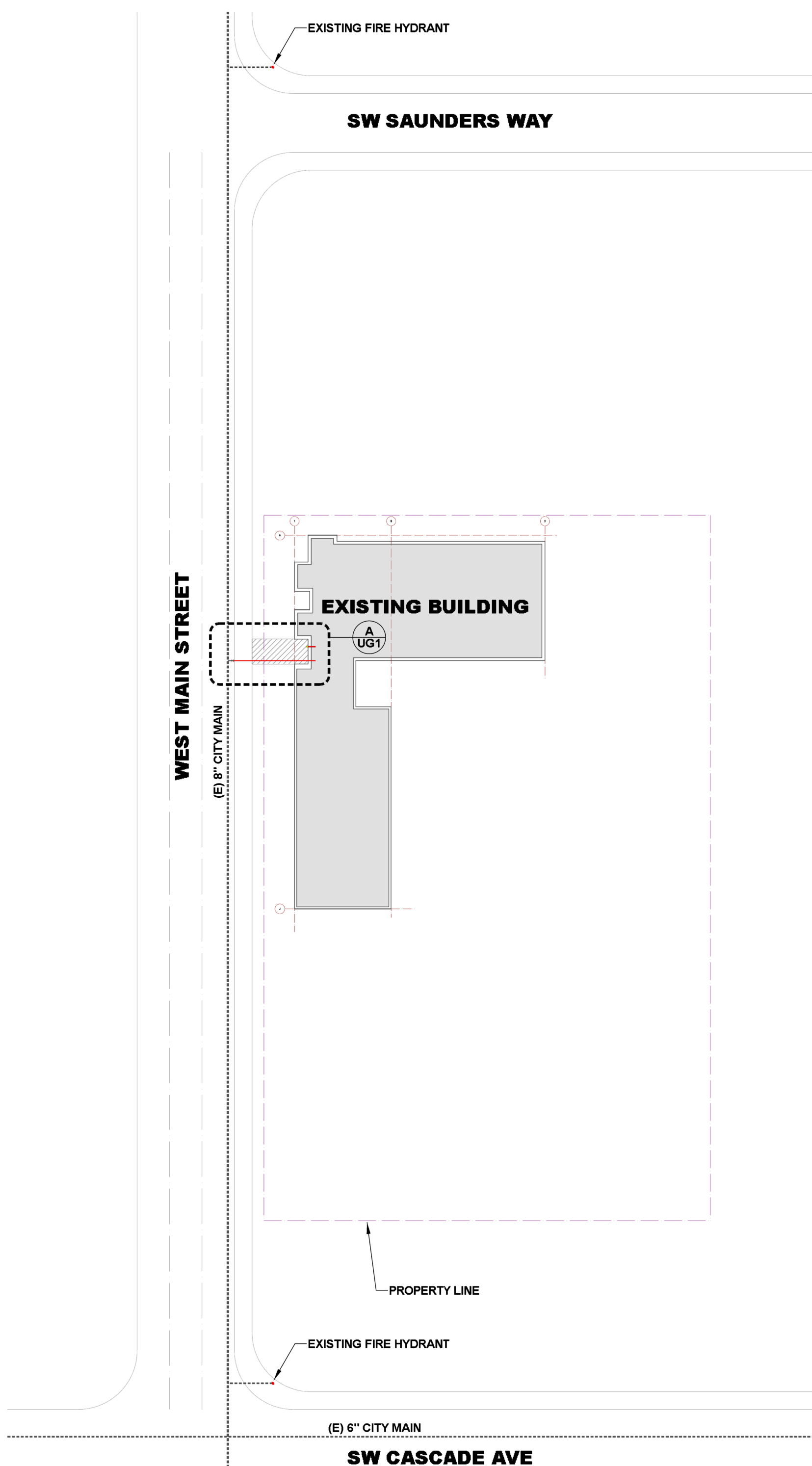
Contract Name
CASCADE MENTAL HEALTH

135 W MAIN ST
CHEHALIS, WA 98532

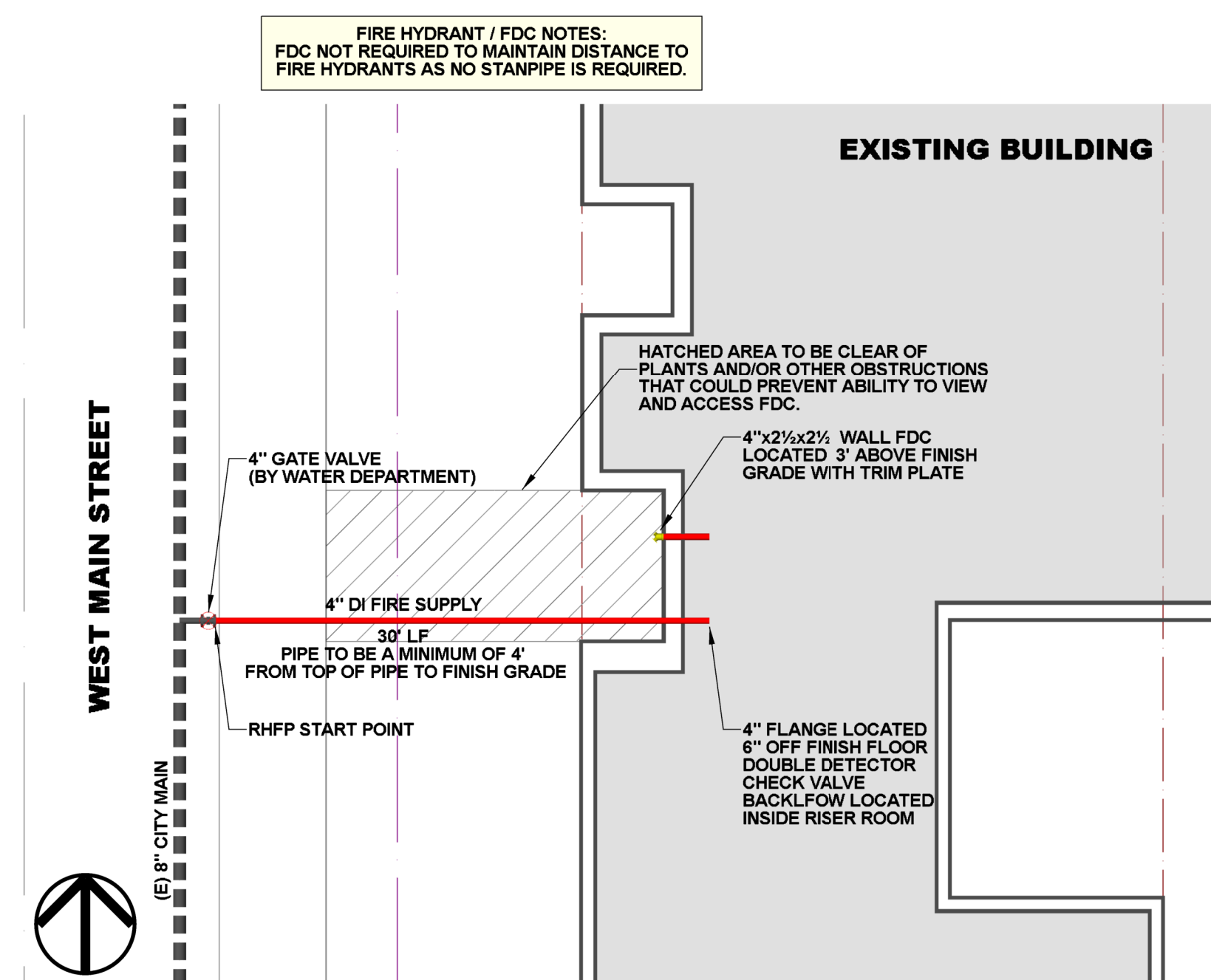
Drawing Title
FIRE SPRINKLER SUPPLY PLAN

Date: March 03, 2022
Job Number: 60174
Designer: TRAVIS KINNE
Building Permit:
Drawing Number

UG1

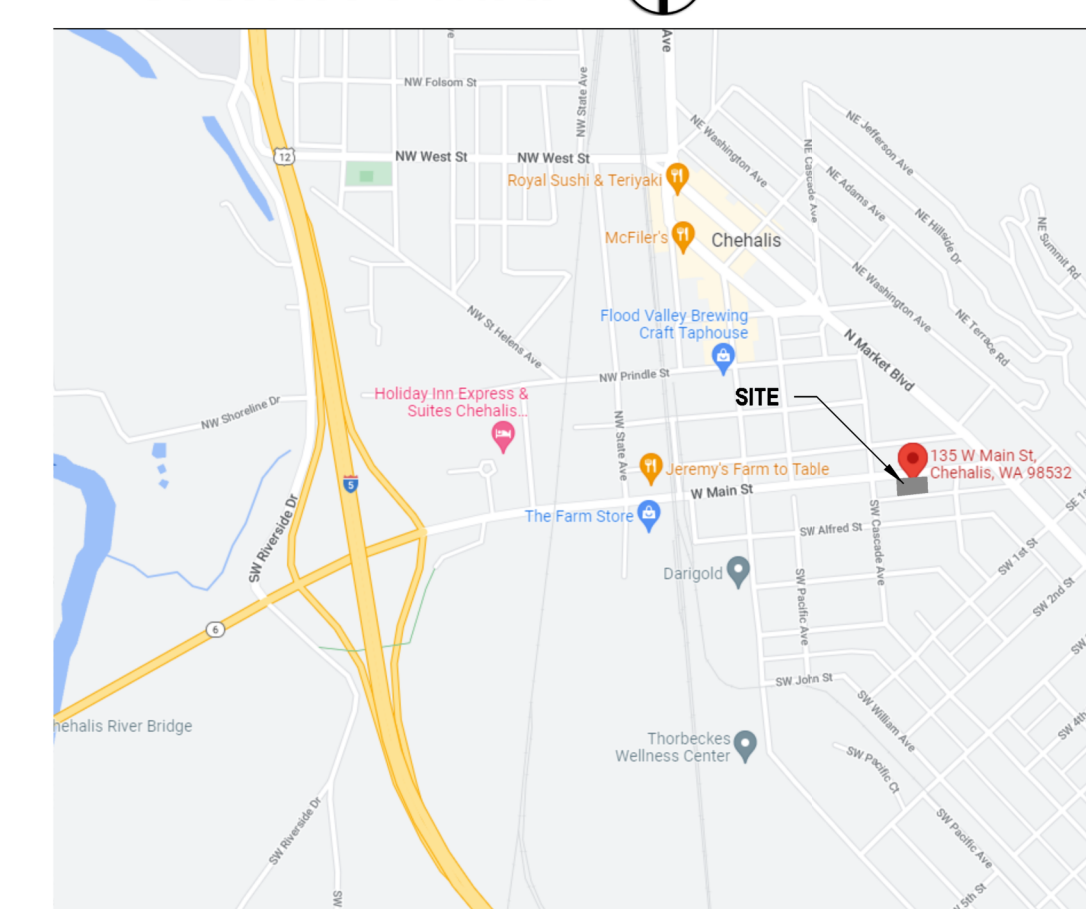


SITE PLAN - FOR REFERENCE
SCALE: 1/32"=1'-0"



FIRE SPRINKLER SUPPLY PLAN
SCALE: 1/8"=1'-0"

VICINITY MAP



FIRE HYDRANT / FDC NOTES:
FDC NOT REQUIRED TO MAINTAIN DISTANCE TO
FIRE HYDRANTS AS NO STANPIPE IS REQUIRED.

HATCHED AREA TO BE CLEAR OF
PLANTS AND/OR OTHER OBSTRUCTIONS
THAT COULD PREVENT ABILITY TO VIEW
AND ACCESS FDC.

4" GATE VALVE
(BY WATER DEPARTMENT)

4"x2"x2 1/2" WALL FDC
LOCATED 3' ABOVE FINISH
GRADE WITH TRIM PLATE

4" DI FIRE SUPPLY
30' LF

PIPE TO BE A MINIMUM OF 4'
FROM TOP OF PIPE TO FINISH GRADE

RHFP START POINT

4" FLANGE LOCATED
6" OFF FINISH FLOOR
DOUBLE DETECTOR
CHECK VALVE
BACKFLOW LOCATED
INSIDE RISER ROOM