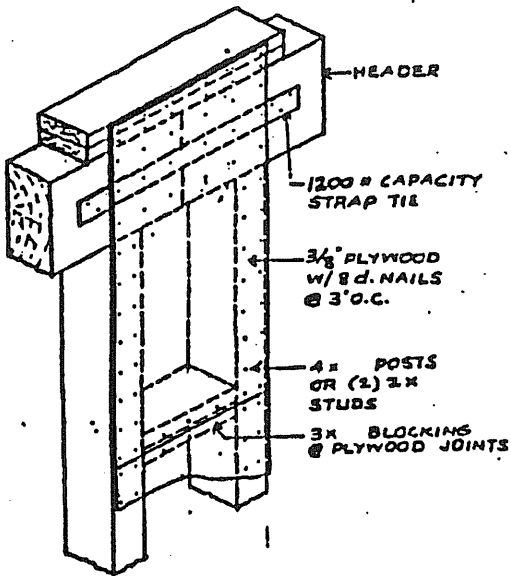
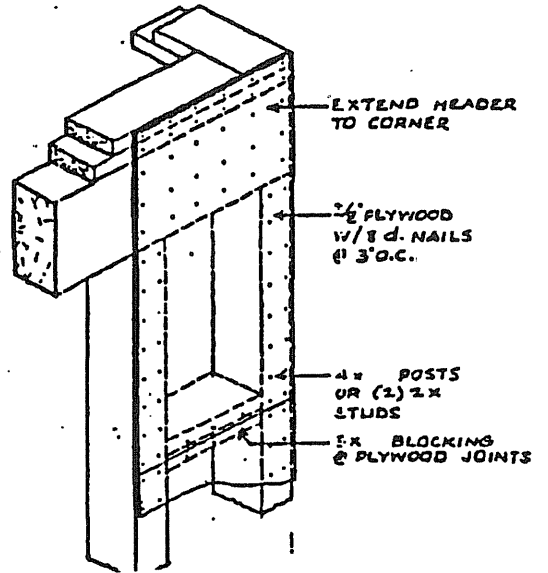


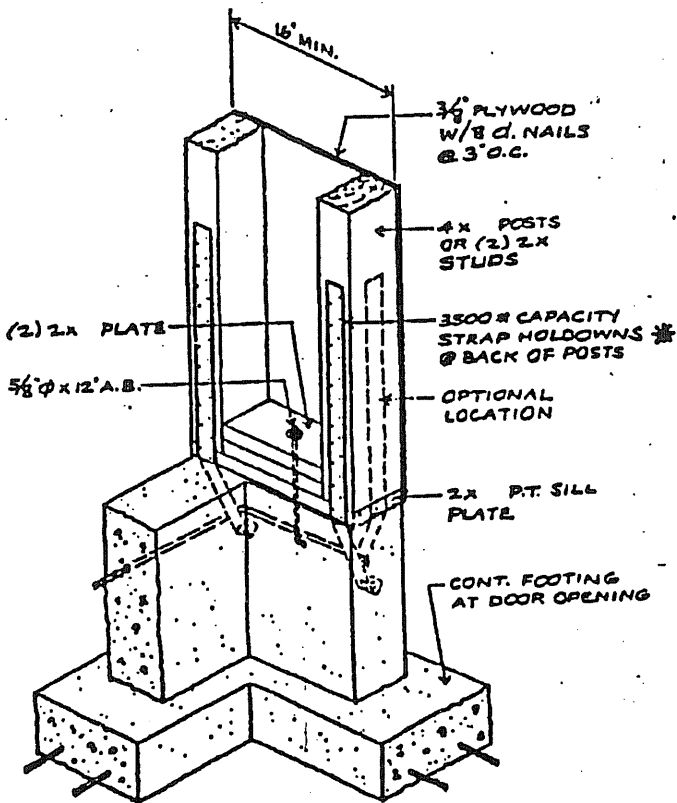
ILLUSTRATION #2



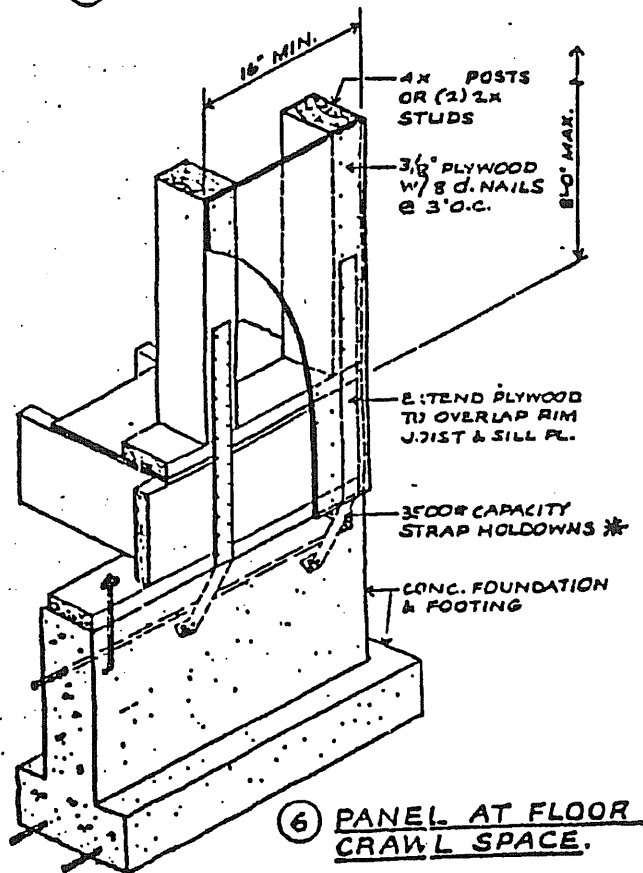
③ HEADER SPLICE



⑤ HEADER AT CORNER



④ STRAP HOLDOWNS
OPTIONAL LOCATION



⑥ PANEL AT FLOOR (CRAWL SPACE)