



CITY OF
CHEHALIS

Where Heart and History Shape Our Future

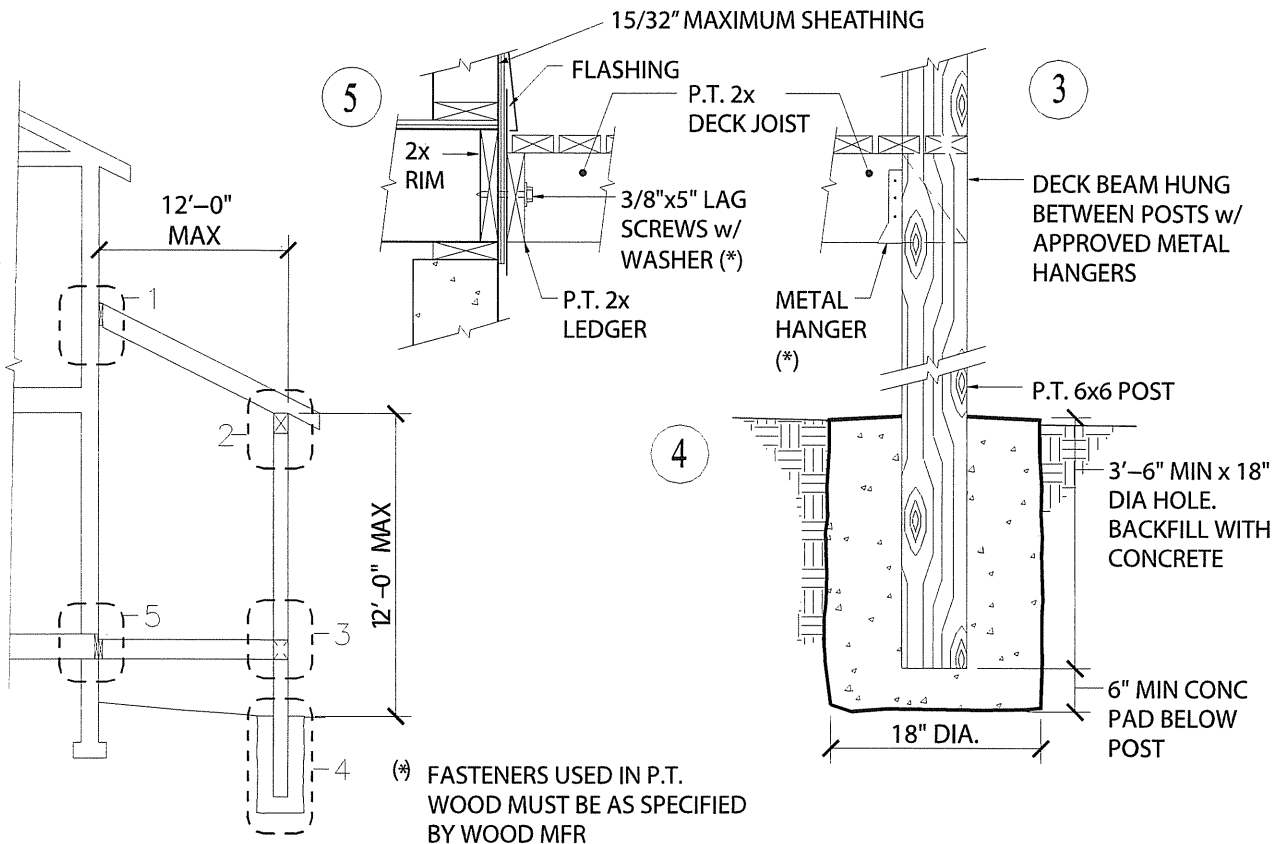
Community Development Department

1321 S Market Blvd. Chehalis, WA 98532

(360) 345-2229 / Fax: (360) 345-1039

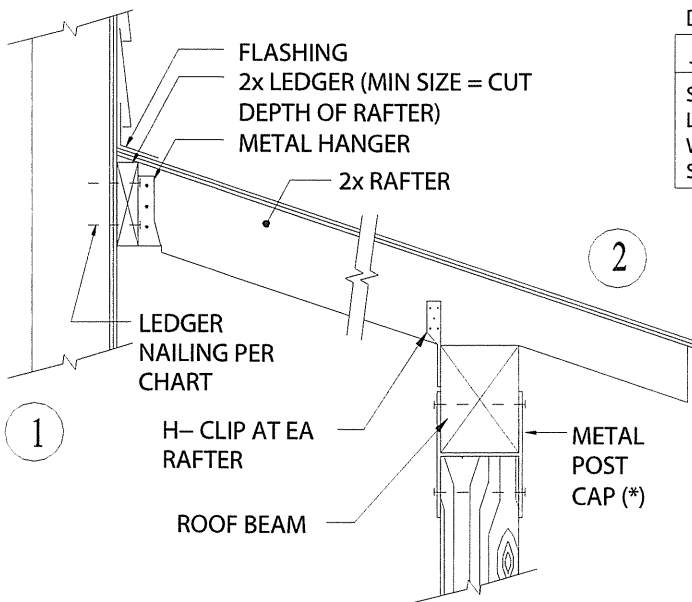
www.ci.chehalis.wa.us email: comdev@ci.chehalis.wa.us

Porch Construction



REQUIRED LEDGER CONNECTION FOR EXT. - STAGGERED DECKS USING MIN 1/2" LAG SCREWS w/ WASHERS

JOIST SPAN	6'	8'	10'	12'
SPACING OF LAG SCREWS WITH 15/32" SHEATHING	30"	23"	18"	13"



REQUIRED LEDGER CONNECTION FOR COVERED PORCH USING MIN 16d COMMON NAILS

RAFTER SPAN	6'	8'	10'	12'
12"	2 NAILS	2 NAILS	3 NAILS	3 NAILS
16"	2 NAILS	3 NAILS	3 NAILS	3 NAILS
24"	4 NAILS	4 NAILS	4 NAILS	4 NAILS

LAGS INTO MANUFACTURED LUMBER MUST HAVE APPROVAL DOCUMENTATION OR HAVE SOLID WOOD RIM BACKING w/ PENET RATING LAG SCREWS