



CITY OF
CHEHALIS
Where Heart and History Shape Our Future

Community Development Department

1321 S Market Blvd. Chehalis, WA 98532

(360) 345-2229 / Fax: (360) 345-1039

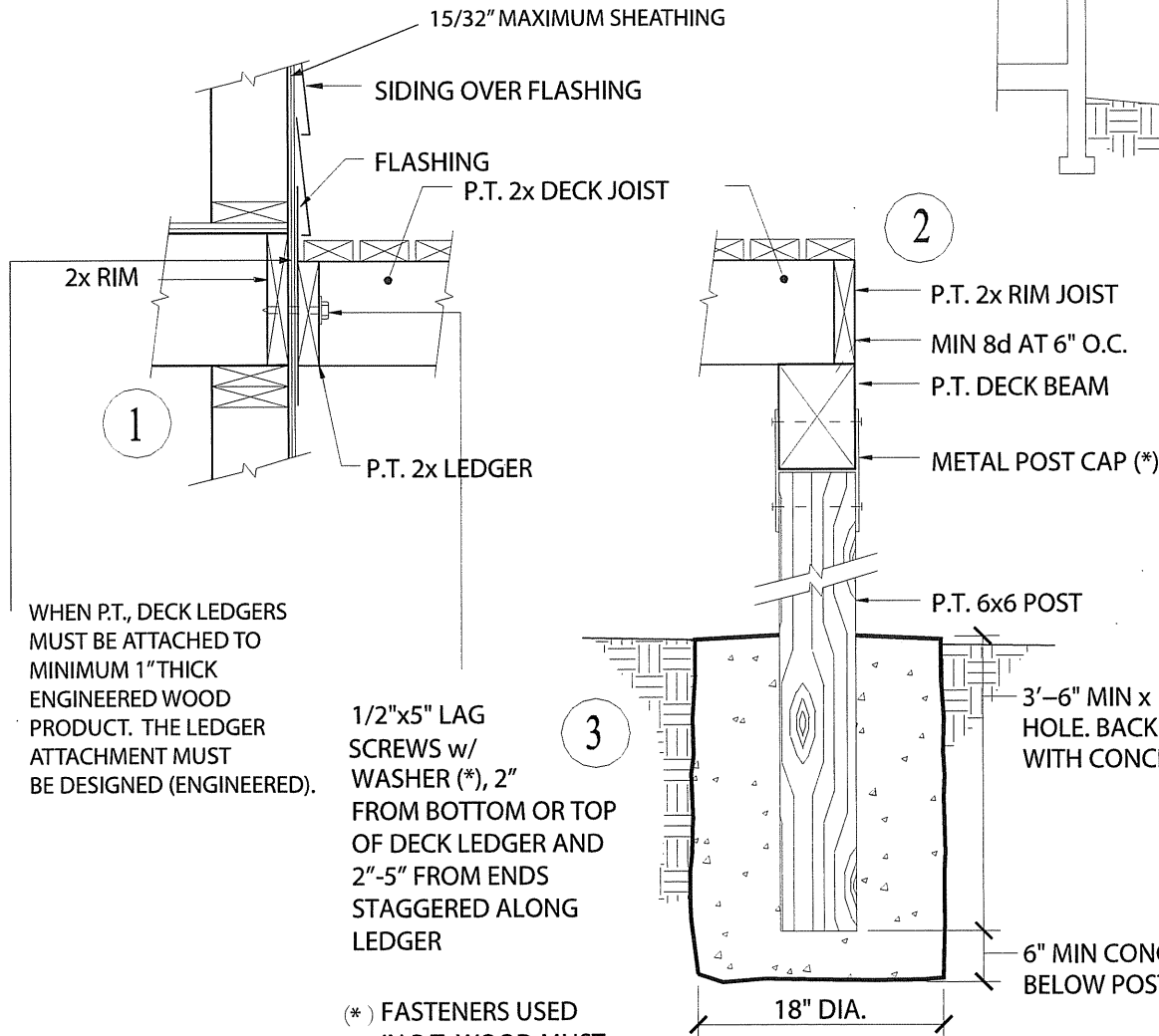
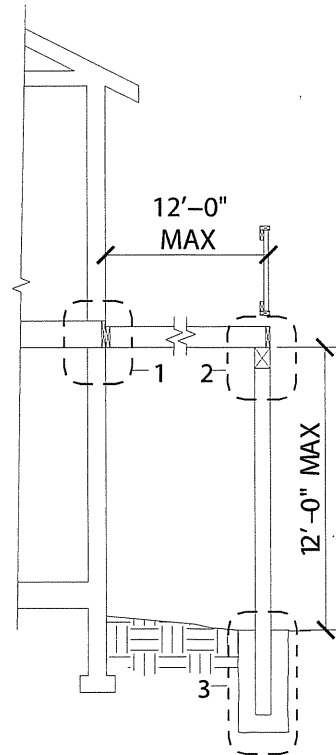
www.ci.chehalis.wa.us email: comdev@ci.chehalis.wa.us

Deck Construction

REQUIRED LEDGER CONNECTION FOR EXT. - STAGGERED DECKS USING MIN 1/2" LAG SCREWS w/ WASHERS

JOIST SPAN	6'	8'	10'	12'
SPACING OF LAG SCREWS WITH 15/32" SHEATHING	30"	23"	18"	13"

LAGS INTO MANUFACTURED LUMBER MUST HAVE APPROVAL DOCUMENTATION OR HAVE SOLID WOOD RIM BACKING w/ PENETRATING LAG SCREWS



(*) FASTENERS USED IN P.T. WOOD MUST BE AS SPECIFIED BY WOOD MFR